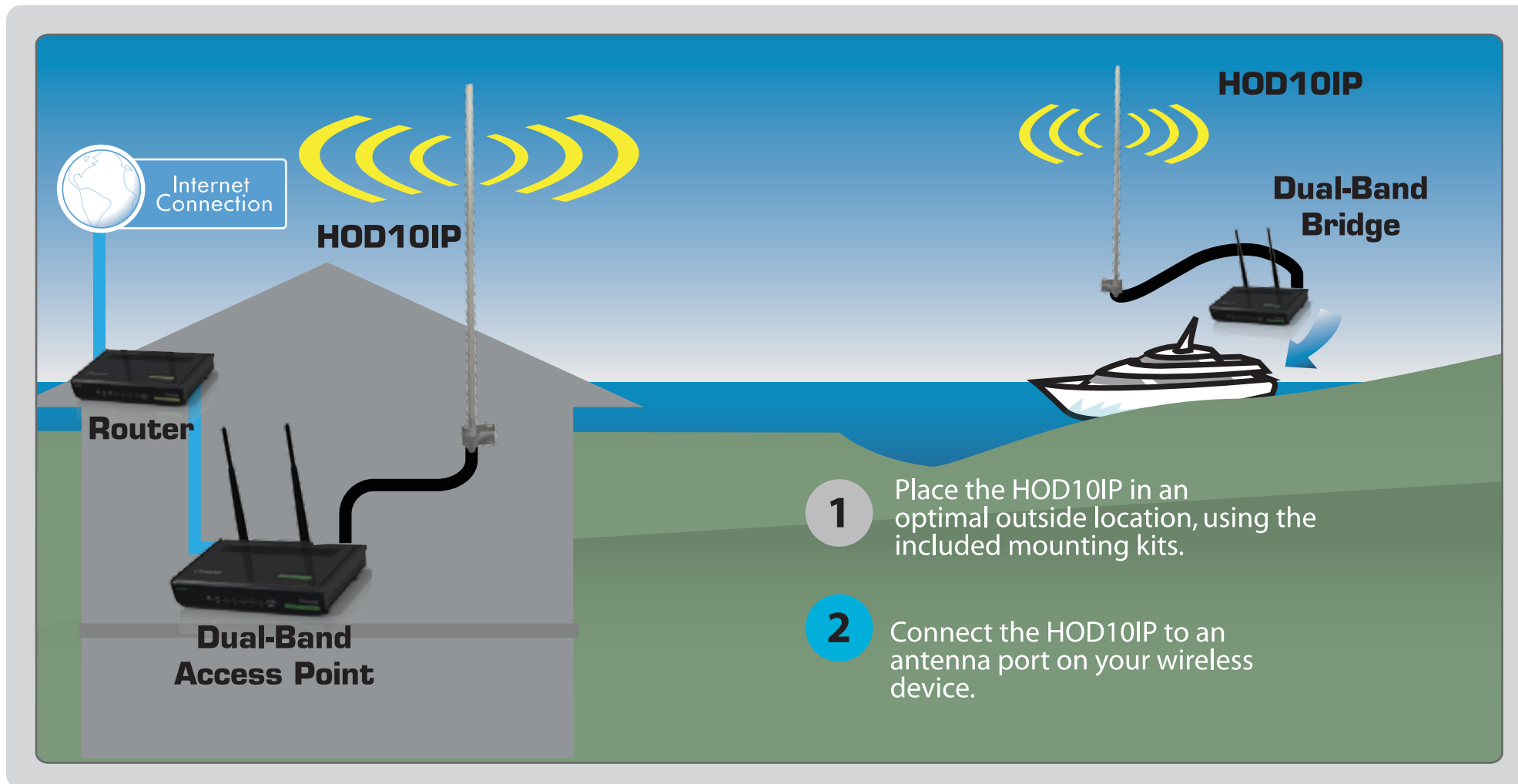


# Start Here ▾ ▾

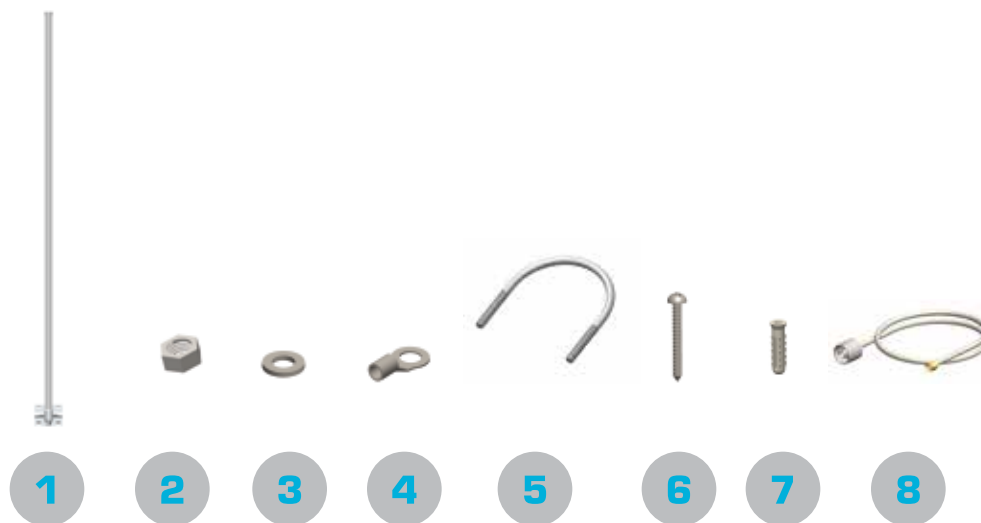
## How It Works



You can utilize a single HOD10IP to extend your wireless signal, however the HOD10IP is ideal for point to point solutions. Supplement an existing network by attaching your HOD10IP to a Dual-Band Access Point Bridge and transmitting the signal to another HOD10IP and Dual-Band Bridge combination. Omni-directional technology allows both points to be flexible with the network's signal radius.

### Package Contents

1. HOD10IP Antenna
2. M5 Hex Nut x 4
3. M5 Flat Washer x 4
4. Grounding Lug
5. M5 U-Type Screw x2
6. Wall Screw x 4
7. Wall Anchor x 4
8. Adapter Cable

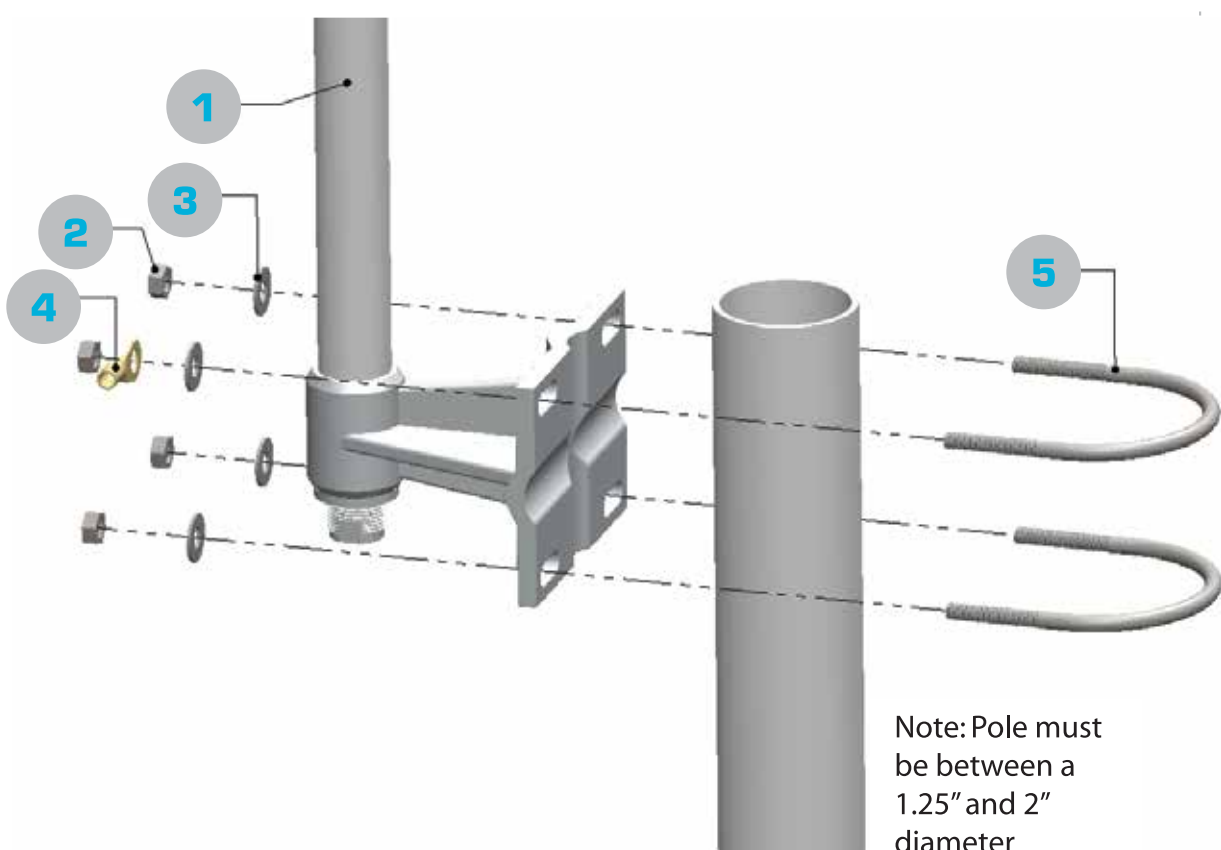


### Requirements

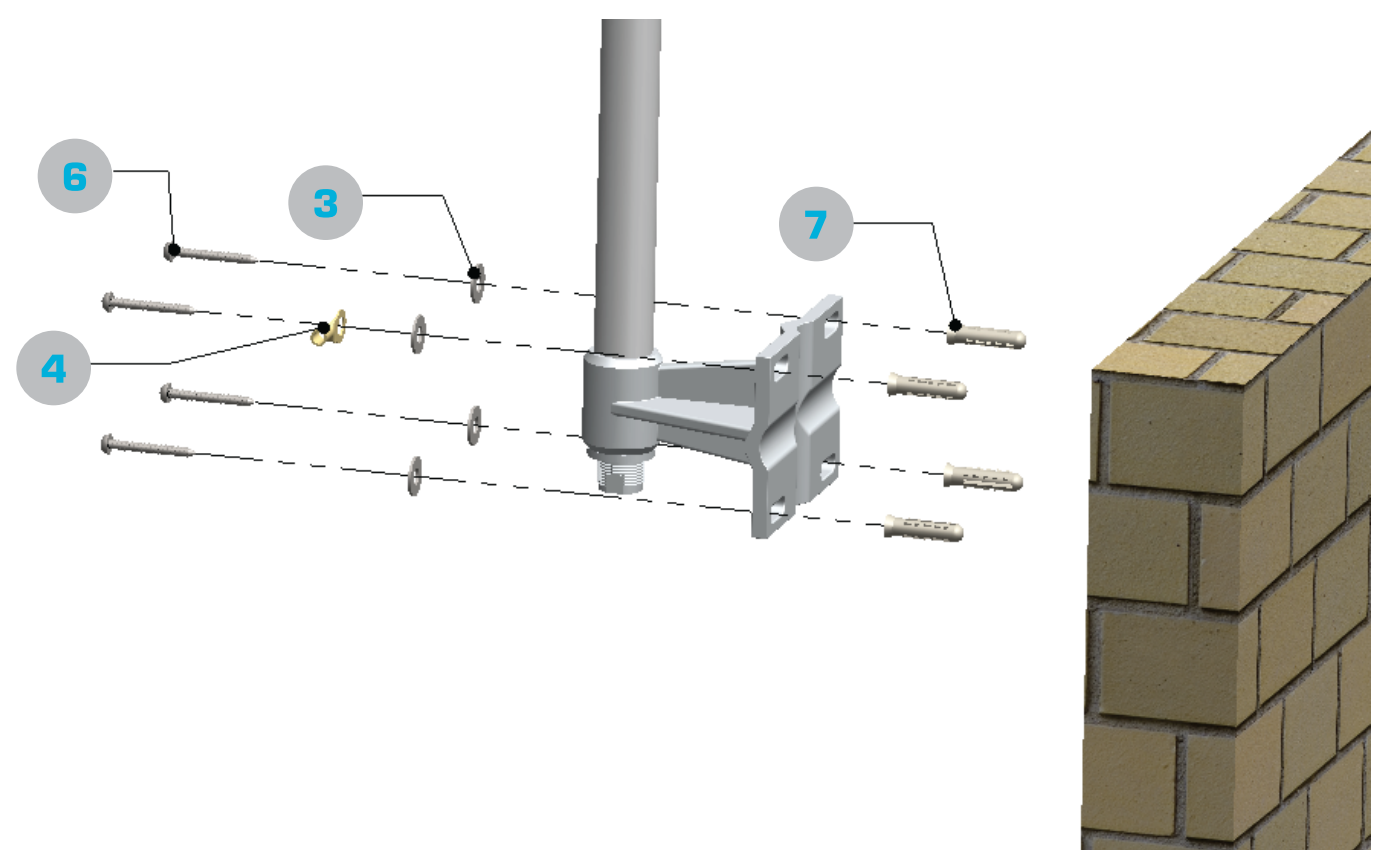
- Wireless Device with Removable Antenna
- Low Loss Outdoor Antenna Cable (Hawking HAC30N, HAC20N, or equivalent)
- Copper Grounding Wire
- Available Pole or Wall for Mounting

## 1 Mounting Your Antenna

### Pole Mounting Instructions



### Wall Mounting Instructions



## 2 Grounding Instructions

It is important to ground your antenna to prevent electrocution and lightning damage. To ground the antenna attach a grounding wire (not included) to the grounding lug. Attach the other end to your building's ground.

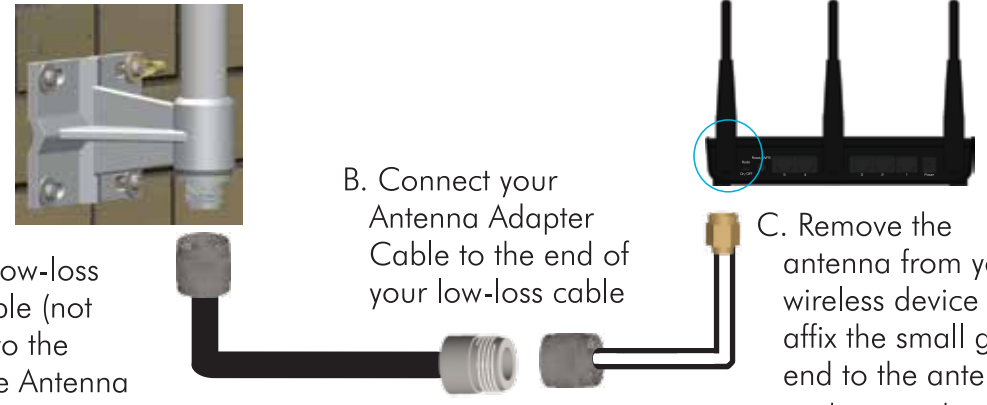


## 3 Connecting the Antenna to Your Device

A. Attach a low-loss outdoor cable (not included) to the base of the Antenna

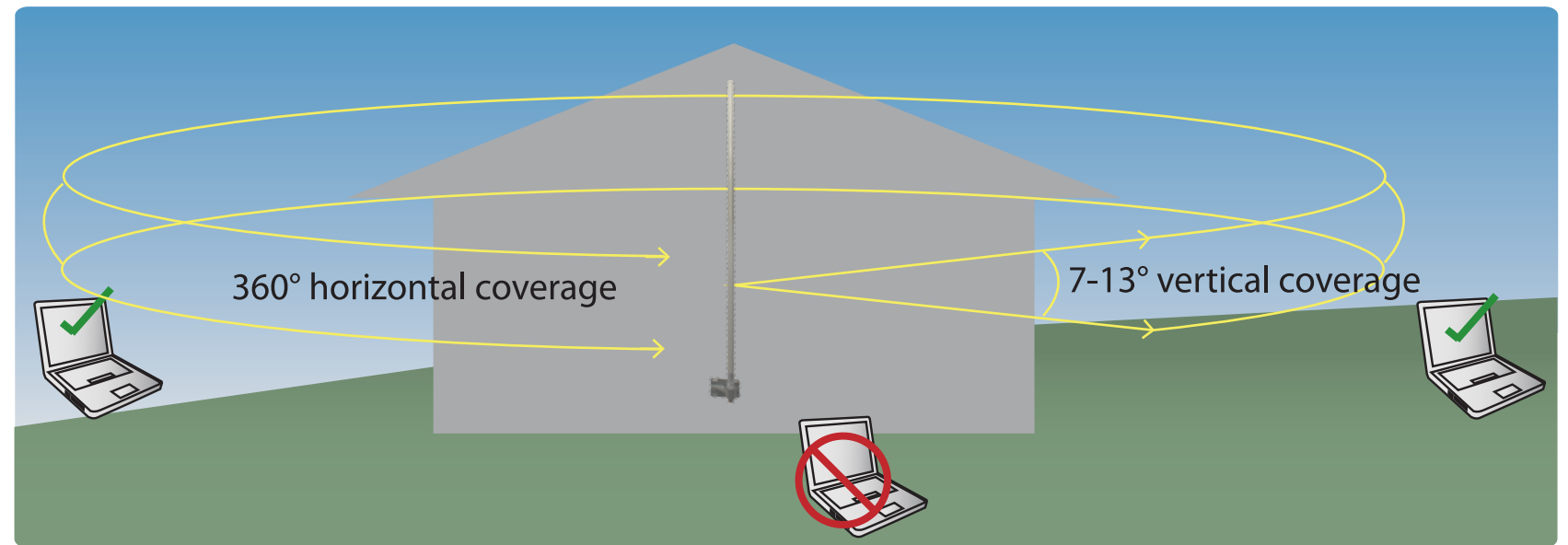
B. Connect your Antenna Adapter Cable to the end of your low-loss cable

C. Remove the antenna from your wireless device and affix the small gold end to the antenna port connector



## 4 Finding Signal

Once you have mounted and connected your Hi-Gain™ Outdoor Dual-Band 10dBi Omni-Directional Antenna, be sure to note the signal pattern of the antenna. While you will experience superior range and quality with the HOD10IP, you must be in range of the antenna's signal. The antenna provides 360° horizontal coverage and 7~10° in a vertical coverage. It is recommended that your devices is not place directly under the antenna. (see the right diagram)



## Specifications

### Electrical Specifications

Frequency range	2400 - 2500 MHz	5100 - 5900MHz
Gain	7.5-8 dBi	7 - 10 dBi
VSWR	2.0 : 1 (Max.)	2.0 : 1 (Max.)
Polarization	Linear, Vertical	
Horizontal HPBW	360 °	
Vertical HPBW	13 °	7 ° - 10 °
Input impedance	50 Ohm	
Cable	N/A	
Connector	N jack	
Power handling	5 W (cw)	
Lightning protection	DC ground	

### Environmental & Mechanical Characteristics

Survival wind speed	216 Km/hr
Temperature	-40 ° C to +80 ° C
Humidity	95 % @ 55 ° C
Radome color	White
Radome material	Fiber Glass, UV resistant
Weight	1 lb
Dimensions	3 x 3 x 46 in
Waterproof	IP-67
Mounting kit	Pole mount & Wall mount

## Other Hawking Hi-Gain™ Dual-Band Products



HOD12DP  
Outdoor Dual-Band  
12dBi Directional  
Antenna



HACST  
TNC to RP-SMA Con-  
nector Adapter



HASP1  
Surge Protector for  
Outdoor WiFi Antenna



HAC10N / HAC20N /  
HAC30N  
10 / 20 / 30 Ft.  
Hi-Gain Outdoor Low  
Loss Cable