

Start Here ▼ ▼



Use the HOA12DP to expand the wireless range of your router, bridge, access point, or extender.

Package Includes

- HOA12DP Antenna
- N-Type to SMA Adapter (2)
- Mounting Accessories:
Wall Mount, Wall Mount Bolts (2),
Wall Mount Nuts (2), Wall Screws (2),
Wall Anchors (2), 3M Paster (1)

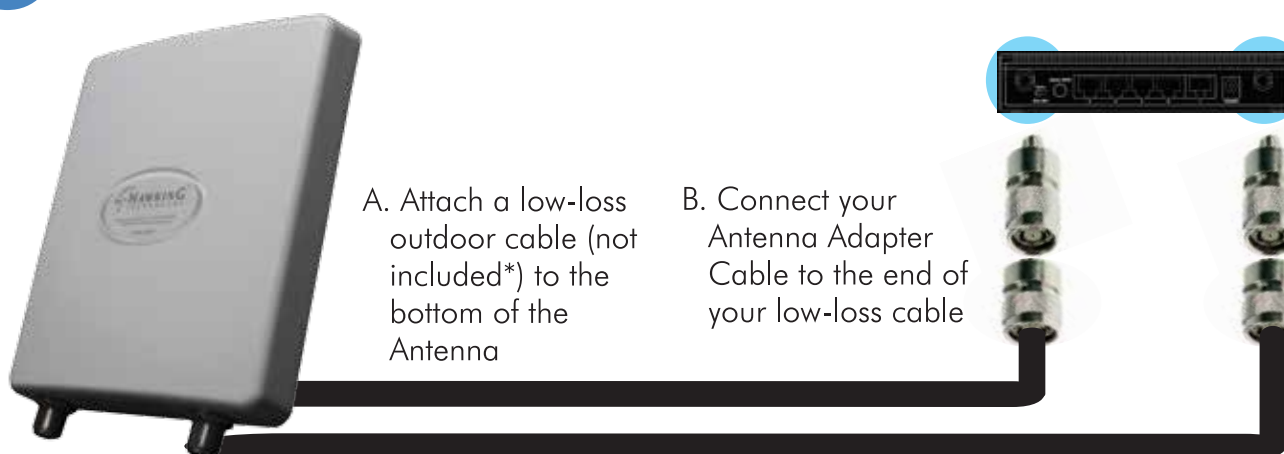
System Requirements

(not included)

- Wireless Networking Device with Removable Antennas
- Outdoor Antenna Cable* (Hawking Model No. HAC30N, HAC20N, HAC10N, or equivalent)



1 Connecting the Antenna to your Wireless Device



A. Attach a low-loss outdoor cable (not included*) to the bottom of the Antenna

B. Connect your Antenna Adapter Cable to the end of your low-loss cable

C. Attach the HOA12DP to the antenna port connector of your Wi-Fi Networking Device.

If your device has only one removable antenna port, you can plug into the port of your choice. If your device has two ports, use both antenna ports to maximize your performance.

* Determine the required length for your antenna cable. When deciding on a cable length, Hawking recommends using the shortest length possible to minimize signal loss.

2 Finding Signal

Once you have connected your Outdoor Wireless-AC 12dBi Directional Antenna, be sure to note the signal pattern of the antenna. While you will experience superior range and quality with your HOA12DP, you must be in range of the antenna's signal. As indicated by the diagram at the right, the directional antenna does not give off signal directly behind, above or below the product. You will receive optimal wireless signal by placing your Wi-Fi enabled device within the designated area. Refer to the HPBW values in the specifications. Adjust the antenna as needed.

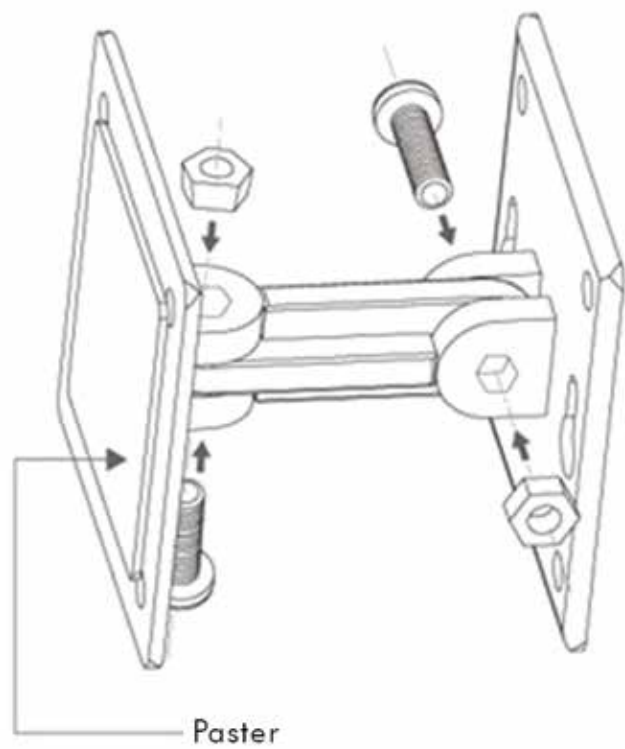
NOTE: To maximize your range, increase the antenna strength of both your broadcasting station (Access Point, Router, Bridge, etc.) and your receiving station (laptops, computers, Range Extender, etc.).



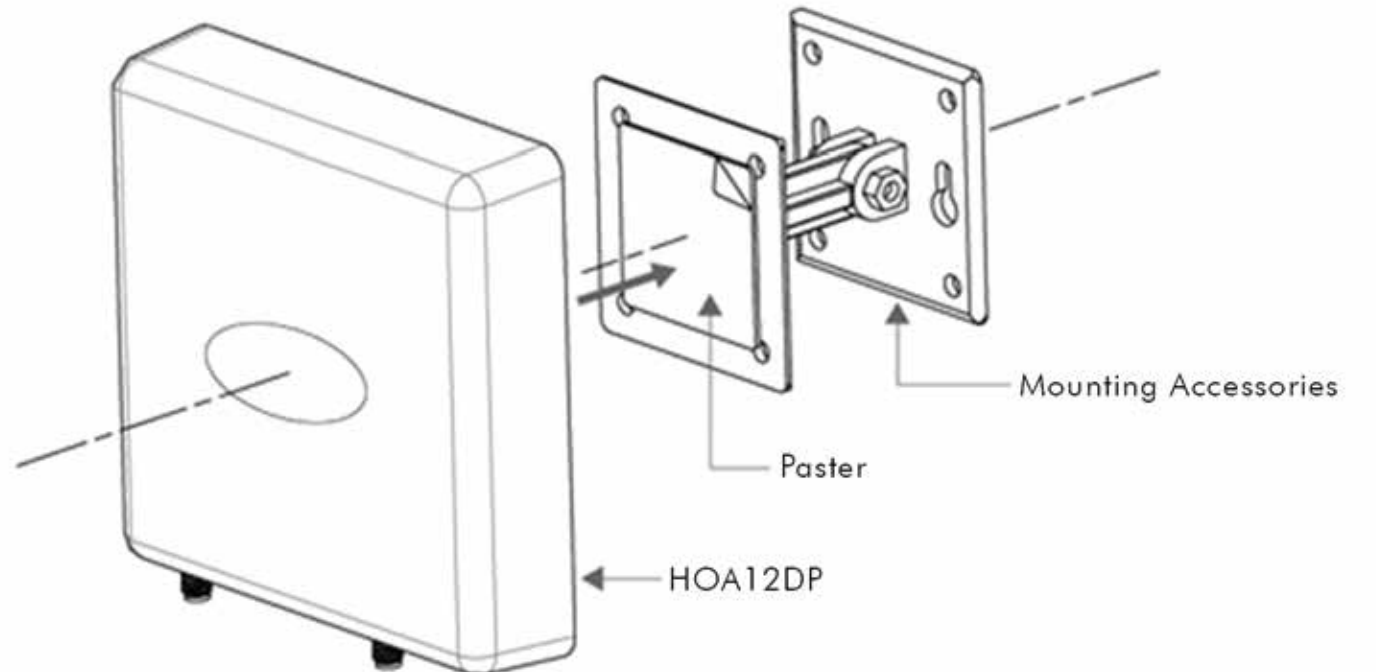
3 Mounting Options

Once you have determined the appropriate location for your antenna, you will need to mount it. The antenna kit only includes a wall mounting option.

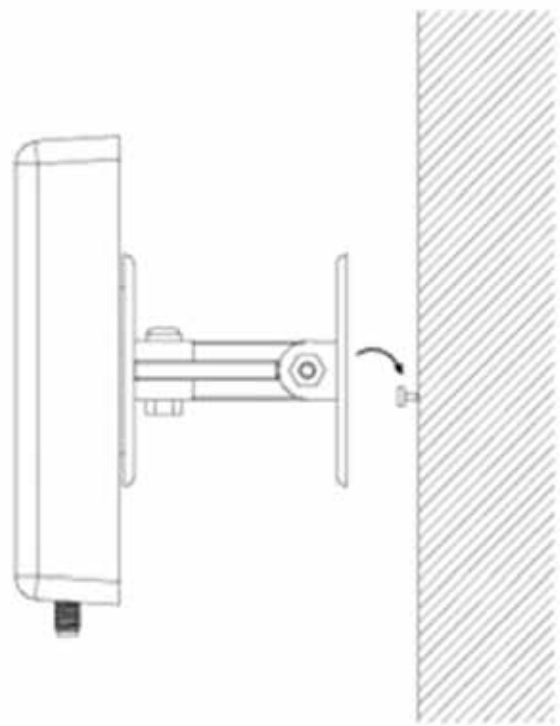
A. Combine the accessories as seen below.



B. Choose a suitable place and fix the mounting accessories. Adhere the HOA12DP to the mounting accessories using the provided 3M-Paster



C. Hang up the HOA12DP using the provided screws. See figure below.



D. Adjust the angle of your directional antenna according to your network environment.



SPECIFICATIONS

Frequency Range	2.4GHz - 2.5GHz, 5GHz	Dimensions	7.9 x 7.1 x 1.2 inches
Gain	10dBi @ 2.4-2.5GHz	Weight	0.7 pounds
	12dBi @ 5GHz	Body Material	Plastic
V.S.W.R.	< 2.0	Contact Material	Metal
Impedance	50Ω	Insulator Material	Teflon or Delrin
Polarization	Vertical / Horizontal		
	Dual Linear		
Front/Back Ratio	15dBi		
Radiation Pattern	Directional		
HPBW (3dB Beam Width)	50° E-plane@2.4GHz, 30° E-plane@5GHz		
	50° H-plane@2.4GHz, 50° H-plane@5GHz		
Operating Temp	-4°F to 149°F		
Connector	Brass		